

8" FEBCO 856 DOUBLE CHECK DETECTOR ASSEMBLY WITH 2 OS&Y GATE VALVES, OR APPROVED EQUAL.

CAST-IN-PLACE CONCRETE THRUST COLLAR WITH RETAINER GLAND CENTERED IN CONCRETE (TYPICAL BOTH ENDS)

NOTES:

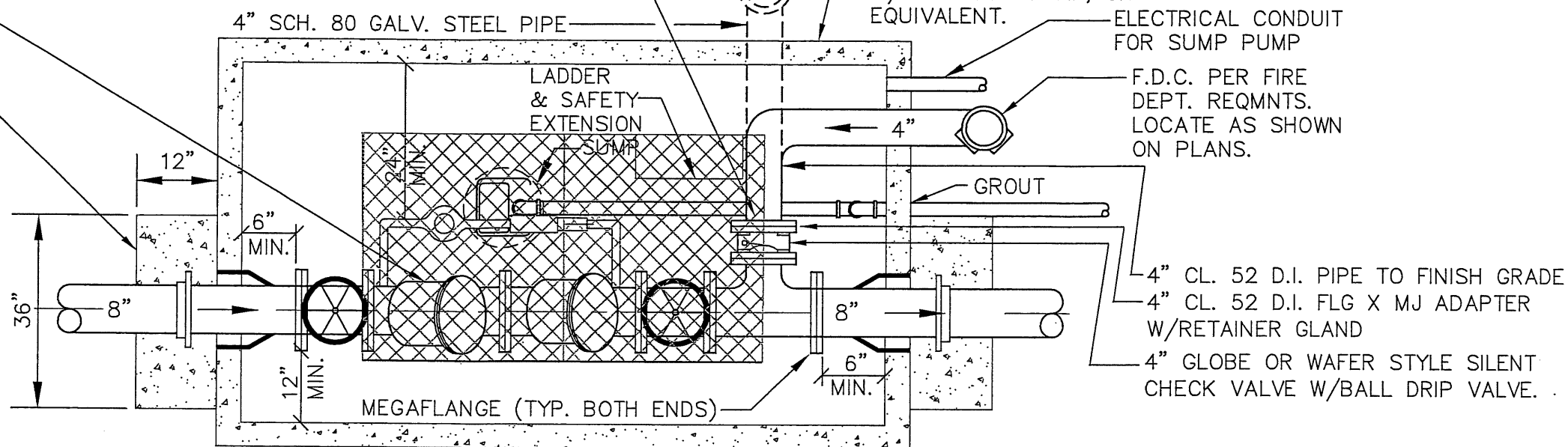
1. DCDA- DOUBLE CHECK DETECTOR ASSEMBLY FDC-FIRE DEPARTMENT CONNECTION.
2. DCDA SHALL CONFORM TO REQUIREMENTS OF PUBLIC/PRIVATE AGENCIES HAVING JURISDICTION.
3. DCDA & VAULT INSTALLATION SHALL MEET STATE OF OREGON, DEPARTMENT OF HUMAN RESOURCES, HEALTH DIVISION REQUIREMENTS.
4. CONTRACTOR SHALL HAVE DCDA TESTED AND CERTIFIED PRIOR TO ACCEPTANCE BY OWNER.
5. FDC SHALL NOT EXIT THROUGH THE TOP OF THE VAULT.
6. ALL PIPE OPENINGS SHALL BE SEALED WITH KOH-N-SEAL RUBBER BOOTS, EXCEPT AS NOTED.
7. BENDS, CROSSES AND TEES SHALL NOT BE INSTALLED WITHIN 5 FEET OF THE OUTSIDE VAULT WALL.
8. ALL VAULTS SHALL MEET OR EXCEED ASTM C-857. ALL VAULT CONCRETE TO BE 4500 PSI @ 28 DAYS. REBAR TO BE ASTM A-615 GRADE 60.
9. SUMP PUMP WITH POWER SUPPLY SHALL BE INSTALLED UNLESS OTHERWISE APPROVED BY PUBLIC WORKS.
10. SUMP DISCHARGE SHALL BE PLUMBED TO FACE OF STREET CURB OR OTHER DISPOSAL POINT APPROVED BY LOCAL JURISDICTION (SEE OAR 333-061-0071.3.f).
11. SUMP PUMP POWER SHALL BE INSTALLED IN SCHEDULE 40 RIGID CONDUIT PER NEC REQMENTS.
12. THRUST COLLAR CONCRETE SHALL BE 3300 PSI @ 28 DAYS.
13. PROVIDE REMOTE READER (TOUCH READ HEAD) FOR DETECTOR LOOP PER LOCAL JURISDICTION REQUIREMENTS, MOUNTED ON HINGE EDGE OF HATCH.
14. ALUMINUM ANGLE FRAME HATCH (3'0" x 5'6" MIN) SHALL BE BY SYRACUSE CASTINGS WEST OR APPROVED EQUAL (SAND BLASTED NON-SLIP). (1) TO BE 300 PSF PEDESTRIAN RATED EXKD-3666-RPC WHERE LID IS SET MIN. OF 9" ABOVE GRADE. (2) TO BE H-20 RATED ECHD-3666-RPC IF LID IS LESS THAN 9" ABOVE GRADE, OR IS IN TRAFFIC AREA.
15. OSHA APPROVED GALVANIZED STEEL LADDER & ALUMINUM LADDER SAFETY EXTENSION.

PROVIDE BALL DRIP DRAIN VALVE TO DRAIN FDC, EITHER ON CHECK VALVE OR WITH HORIZONTAL TAPPING SADDLE

UTILITY VAULT 5106-WA (5'0" x 10'6" ID) W/H-20 RATED LID, OR EQUIVALENT.

ELECTRICAL CONDUIT FOR SUMP PUMP

F.D.C. PER FIRE DEPT. REQMENTS. LOCATE AS SHOWN ON PLANS.



PLAN

NTS

SET TOP 1" MIN. ABOVE FG. OUTSIDE PAVED AREAS. USE H-20 RATED HATCH IF LID IS LESS THAN 9" ABOVE FG ON ALL SIDES.

SET TOP AT FINISH GRADE IN PAVED AREAS

ALUMINUM HATCH (SEE NOTE 14)

UTILITY VAULT

GRANULAR BACKFILL IN IMPROVED AREAS

CORE VAULT TO PIPE DIA +3" MIN, KOR-N-SEAL BOOT (TYP. BOTH ENDS)

LADDER & SAFETY EXT (SEE NOTE 15)

OS&Y GATE VALVE (TYP)

2" TRUE UNION BALL VALVE

FIRE DEPT. CONNECTION SET MIN. 36" ABOVE GRADE UNLESS OTHERWISE REQUIRED BY FIRE DEPT.

4" SCH, 80 GALV. STEEL NIPPLE
4" GALV. STEEL COMPANION FLANGE
4" CL. 52 D.I. FLG X MJ ADAPTER W/RETAINER GLAND

6" MIN. CLEARANCE WHEN O.S.&Y. VALVE IS FULLY OPEN
ELECTRICAL CONDUIT FOR SUMP PUMP POWER. SEE ELECTRICAL PLANS. PROVIDE MIN. 30" COVER.

2" SCH 40 PVC SUMP PUMP DISCHARGE LINE. PLUMB TO FACE STREET CURB OR OTHER APPROVED DISPOSAL POINT. PROVIDE 30" MINIMUM COVER.

8" DOUBLE CHECK DETECTOR ASSY, WITH CITY 2" BALL CHECK VALVE APPR'D METER & RADIO READ HEAD (BY HATCH OR OTHER LOCATION APPR'D BY PUBLIC WORKS)

6" MIN. COMPACTED GRANULAR BASEROCK

STANDON MODEL S89 FLANGE SUPPORT OR APPROVED EQUAL (TYP).

SECTION

NTS

MIN 5 GPM SUMP PUMP WITH POWER SUPPLY. CONTRACTOR TO COORDINATE WITH BUILDING CONTRACTOR TO CONNECT SUMP PUMP TO BUILDING POWER.

LAST REVISION DATE: JULY 2015	JO # STANDARD
8" DOUBLE CHECK DETECTOR ASSEMBLY W/FDC (NTS)	
SILVERTON, OR	DETAIL NO. 556