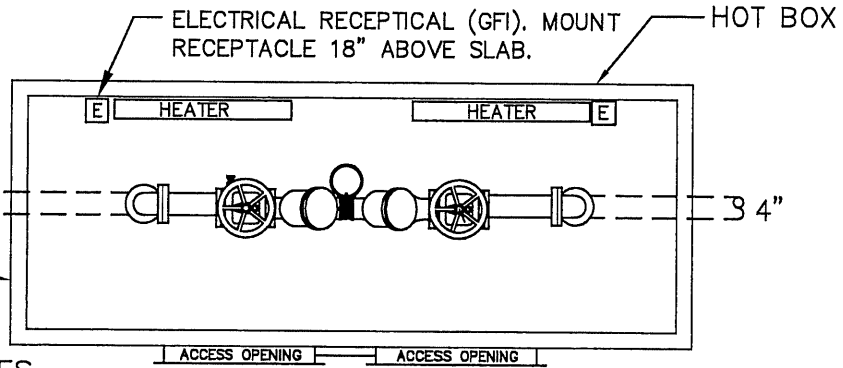


MODEL NO. HB4E AS
MANUFACTURED BY HOT BOX
(1-800-736-0238)
ANCHOR ENCLOSURE
TO CONCRETE PAD
PER MANUFACTURER'S
REQUIREMENTS.

NOTE: VERIFY VAULT SIZE
FOR OTHER MODEL BF DEVICES.



PLAN
NTS

4" FEBCO 860 REDUCED
PRESSURE ASSEMBLY (OR
APPROVED EQUAL) WITH 2
OS&Y GATE VALVES (TYP)

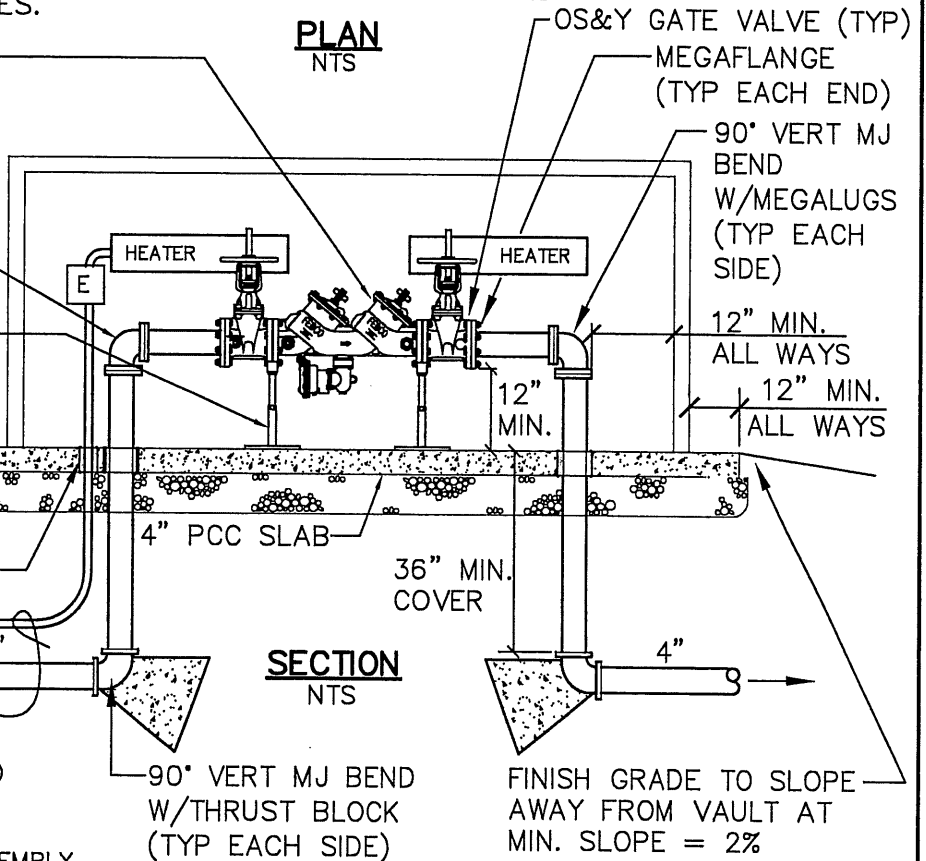
90° VERT MJ BEND
W/MEGALUGS
(TYP EACH SIDE)

STANDON MODEL S89
FLANGE SUPPORT OR
APPROVED EQUAL (TYP).

6" MIN. COMPACTED
GRANULAR BASEROCK

PROVIDE EXPANSION
JOINT FILLER AT PIPE
PENETRATIONS (TYP)

ELECTRICAL CONDUIT TO
POWER SOURCE.
COORDINATE AS REQ'D TO
PROVIDE 120V POWER.



SECTION
NTS

NOTES:

1. RPA- REDUCED PRESSURE ASSEMBLY
2. RPA & VAULT INSTALLATION SHALL MEET STATE OF OREGON, DEPARTMENT OF HUMAN RESOURCES, HEALTH DIVISION REQUIREMENTS.
3. CONTRACTOR SHALL HAVE RPA TESTED AND CERTIFIED PRIOR TO APPROVAL BY THE CITY.
4. RPA & VAULT SHALL CONFORM TO REQUIREMENTS OF PUBLIC/PRIVATE AGENCIES HAVING JURISDICTION.
5. VAULTS SHALL HAVE A MINIMUM OF 3' CLEARANCE FROM ALL OTHER VAULTS OR STRUCTURES.
6. VERIFY ENCLOSURE DIMENSIONS ARE ADEQUATE FOR CLEARANCE BASED ON HEIGHT OF REDUCED PRESSURE ASSEMBLY.
7. ENCLOSURE SHALL BE CENTERED OVER THE COMPLETED REDUCED PRESSURE ASSEMBLY.
8. POWER SHALL BE INSTALLED IN SCHEDULE 40 RIGID CONDUIT PER NEC REQUIREMENTS.
9. 'E' INDICATES THE ELECTRICAL RECEPTACLE. IT SHALL BE MOUNTED A MIN. OF 18" ABOVE THE SLAB.
10. ALL CONCRETE SHALL HAVE 3,300 PSI COMPRESSIVE STRENGTH @ 28 DAYS.
11. HOT BOX DRAINAGE OPENINGS SHALL NOT BE OBSTRUCTED BY GRADING OR PLANTINGS.
12. RPA SHALL BE INSTALLED A MIN. OF 12 INCHES ABOVE THE 100-YEAR FLOOD ELEVATION AS DETERMINED BY FEMA.

LAST REVISION DATE: JULY 2015	JO # STANDARD
4" REDUCED PRESSURE ASSEMBLY	
(NTS)	
SILVERTON, OR	DETAIL NO. 544