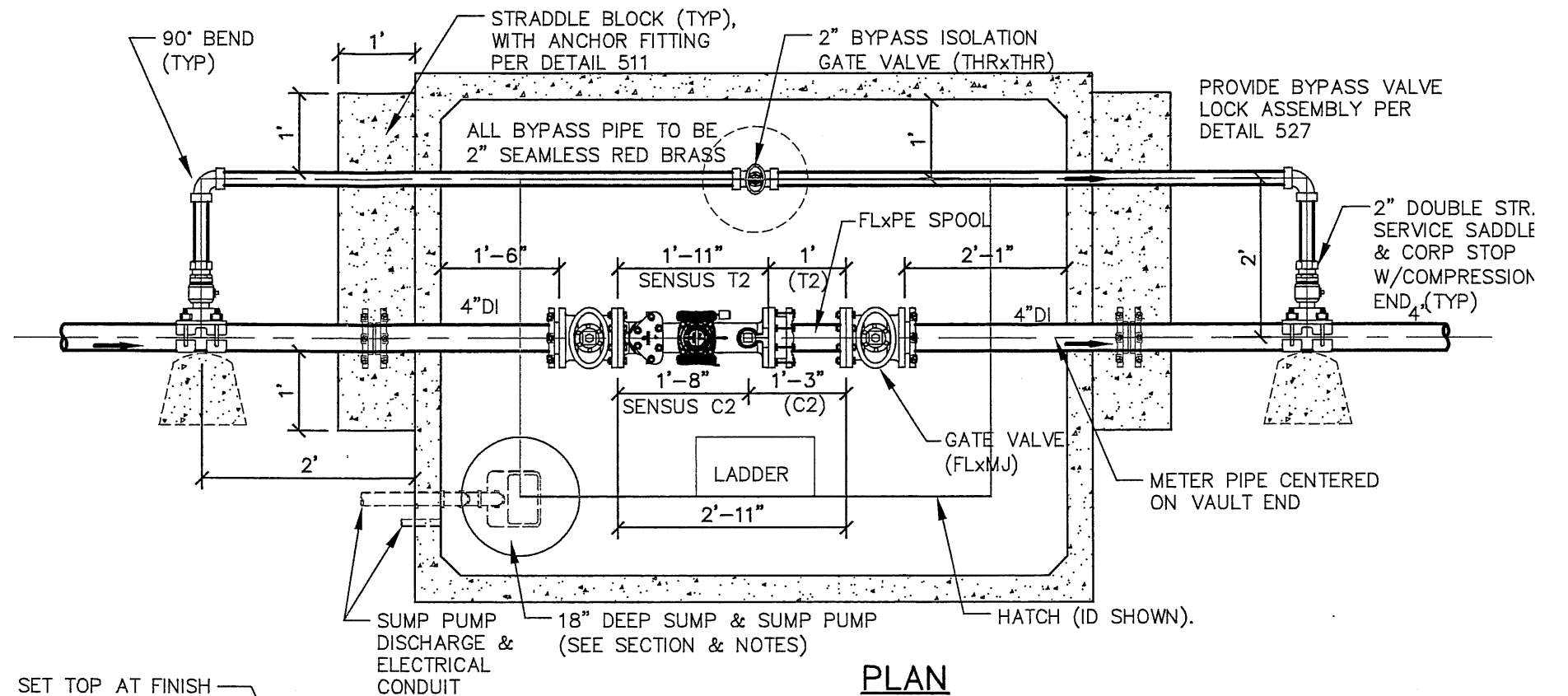
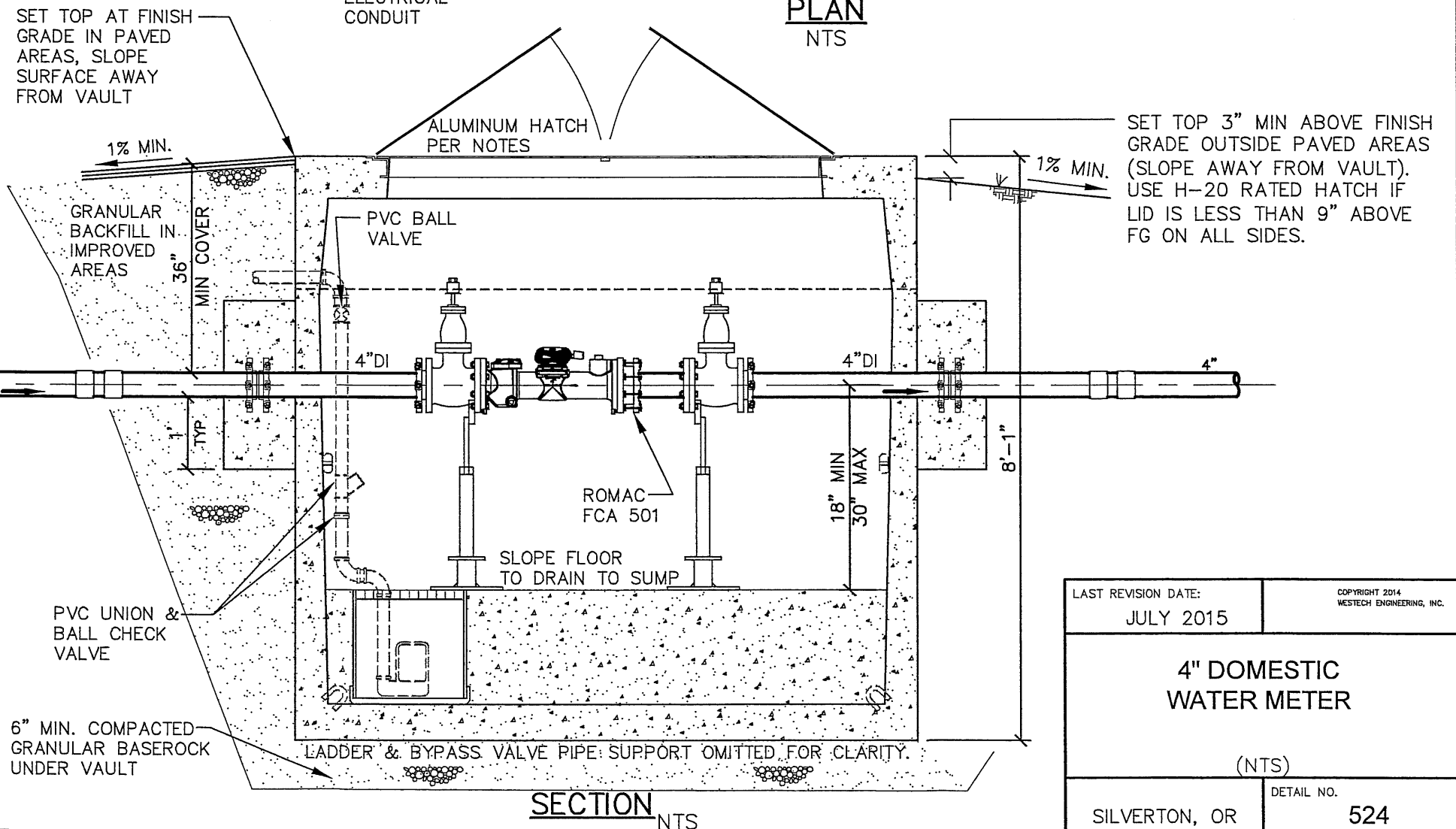


NOTES:

1. METER VAULT & PIPING SHALL CONFORM TO REQUIREMENTS OF ALL PUBLIC/PRIVATE AGENCIES HAVING JURISDICTION.
2. METER VAULT SHALL BE PLACED WITHIN RIGHT-OF-WAY UNLESS OTHERWISE APPROVED (RECORDED EASEMENT TO THE CITY REQUIRED FOR ANY METER ON PRIVATE PROPERTY).
3. ALL MATERIALS (EXCEPT THE METER) SHALL BE FURNISHED & INSTALLED BY THE CONTRACTOR. THE CONTRACTOR SHALL INSTALL A TEMPORARY SPACER SPOOL BETWEEN METER ISOLATION VALVES FOR TESTING. THE TEMPORARY SPOOL SHALL MATCH THE LENGTH OF THE ACTUAL METER TO BE PROVIDED BY THE CITY.
4. PIPING INSIDE VAULT & THROUGH WALLS TO BE CL 52 DUCTILE IRON, EXCEPT AS OTHERWISE SHOWN.
5. METER WILL BE SUPPLIED BY THE CITY, BUT SHALL BE INSTALLED (AFTER PRESSURE & OTHER TESTING OF METER VAULT PIPING) BY THE CONTRACTOR UNDER CITY INSPECTION AND APPROVAL (MOUNT RADIO READ SENSOR ON HINGE SIDE OF ACCESS HATCH AT CITY APPROVED LOCATION).
6. ISOLATION VALVES IN METER VAULT SHALL BE NON-RISING STEM GATE VALVE (EPOXY COATED) WITH 2-INCH SQUARE OPERATING NUT.
7. ALL MJ CONNECTIONS (INCLUDING BYPASS LINE FITTINGS) SHALL BE ASSEMBLED WITH RETAINER GLANDS (EBBA MEGA-LUGS OR APPROVED EQUAL).
8. ALL PIPE OPENINGS SHALL BE CORE DRILLED (REGARDLESS OF PRESENCE OF 'KNOCKOUTS'), AND SEALED WATERTIGHT WITH NON-SHRINK GROUT.
9. PIPE SUPPORTS SHALL BE GALVANIZED STANDON S89 OR APPROVED EQUAL AT EACH ISOLATION AND BYPASS VALVE.
10. METER VAULT TO BE UTILITY VAULT 687-WA OR APPROVED EQUAL, CONFORMING WITH ASTM C-857. PROVIDE ALUMINUM ANGLE FRAME HATCH (48"x 72" MIN) BY SYRACUSE CASTINGS WEST OR APPROVED EQUAL (HATCH COVER TOP TO BE SAND BLASTED NON-SLIP).
 - (1) TO BE 300 PSF PEDESTRIAN RATED WHERE LID IS SET MIN. OF 9" ABOVE GRADE.
 - (2) TO BE H-20 RATED IF LID IS LESS THAN 9" ABOVE GRADE, OR IF LOCATED IN TRAFFIC AREA.
11. METER VAULT SHALL BE PROVIDED WITH AN OSHA APPROVED GALVANIZED STEEL LADDER AND ALUMINUM LADDER SAFETY EXTENSION. ATTACH TO VAULT WITH STAINLESS STEEL BOLTS.
12. CONTRACTOR TO INSTALL SUMP PUMP (5 GPM MIN) WITH 120V POWER SUPPLY, ALONG WITH PRIVATE POWER SOURCE. SUMP PUMP POWER SHALL CONFORM WITH NEC REQUIREMENTS AND BE INSTALLED IN SCHEDULE 40 CONDUIT.
13. SUMP PUMP DISCHARGE PIPE SHALL BE 2-INCH SCHEDULE 40 PVC, PROVIDED WITH UNION (FOR PUMP REMOVAL), CHECK VALVE AND ISOLATION BALL VALVE. CONNECT DISCHARGE TO GRAVITY STORM DRAIN OR CURB WEEP HOLE (AT LOCATION APPROVED BY PUBLIC WORKS).
14. SUMP TO BE 18" ROUND PVC OR CONCRETE PIPE. PROVIDE FRP SUMP GRATE WITH CUTOUT FOR DISCHARGE PIPING (GRATE TO BE REMOVABLE WITHOUT DISASSEMBLING DISCHARGE PIPING).



PLAN
NTS



SECTION
NTS

LAST REVISION DATE: JULY 2015	COPYRIGHT 2014 WESTECH ENGINEERING, INC.
4" DOMESTIC WATER METER	
(NTS)	
SILVERTON, OR	DETAIL NO. 524