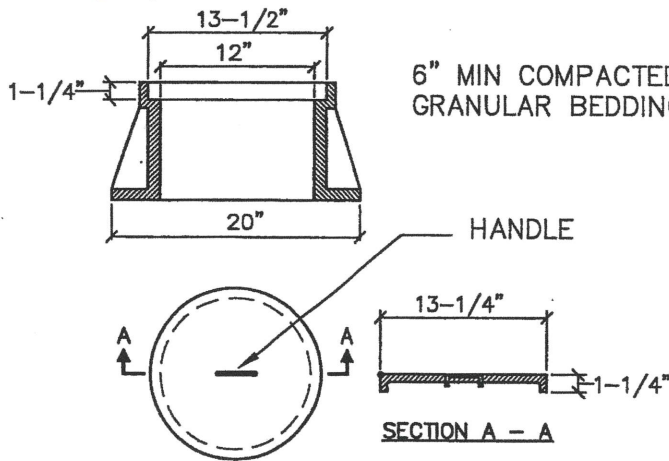
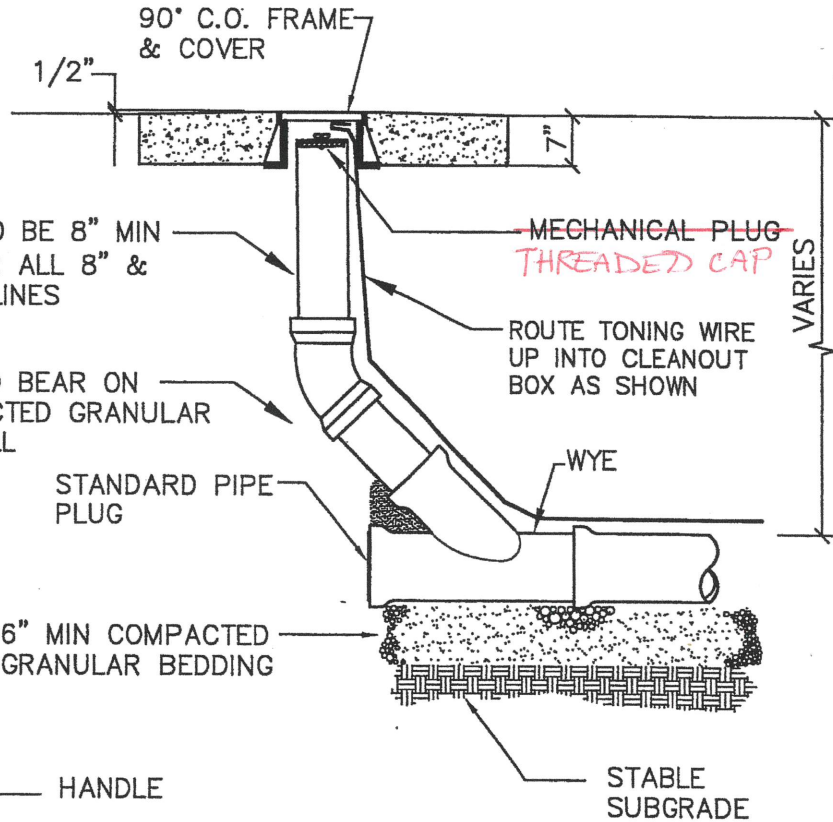
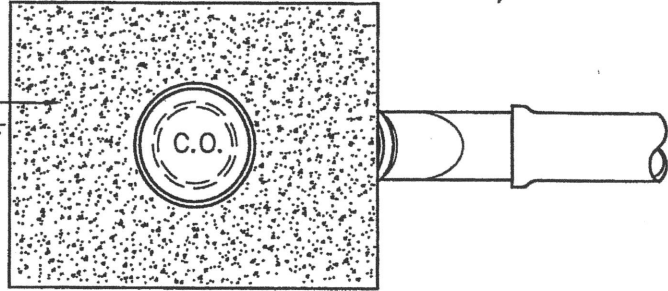


CLEANOUT COVERS: ALL SEWER CLEANOUT LIDS TO READ "SEWER"
 ALL STORM CLEANOUT LIDS TO READ "STORM" OR "C/O".

24" SQUARE CONCRETE PAD
 OR AC PAVEMENT OUTSIDE OF
 PAVED AREAS. SLOPE AWAY
 FROM CLEANOUT.



CLEANOUT FRAME & COVER

NOTES:

1. USE INLAND FOUNDRY MODEL 240 FRAME & COVER IN ALL AREAS.
2. COVER AND FRAME SHALL BE GRAY CAST IRON ASTM A-48, CLASS 30.
3. COVER AND FRAME TO BE MACHINED TO A TRUE BEARING ALL AROUND.

LAST REVISION DATE: JULY 2015	COPYRIGHT 1995 WESTECH ENGINEERING, INC.
MAINLINE CLEANOUT	
(NTS)	
SILVERTON, OR	DETAIL NO. 411