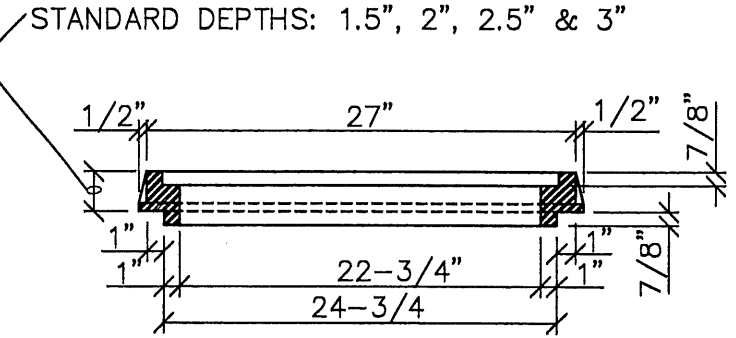
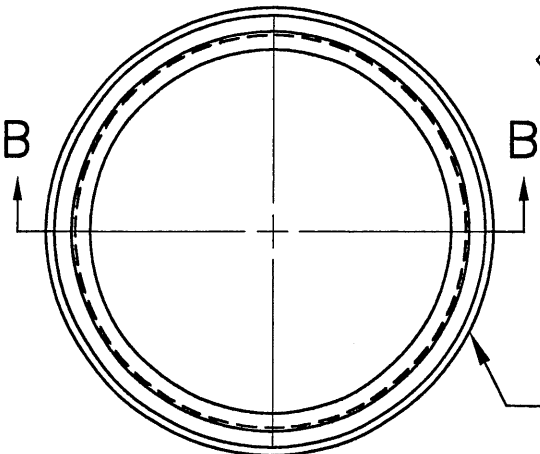


TYPICAL MANHOLE GRADE ADJUSTMENT



SECTION B-B

CAST IRON ADJUSTMENT RINGS

MANHOLE ADJUSTMENT RINGS FOR RESURFACING ONLY

5. ALL NEW SEWER MHs (OR EXISTING SEWER MHs CONNECTED TO) SHALL BE PROVIDED WITH MANHOLE LID INSERTS (MANPAN MANHOLE INSERT OR EQUAL).

NOTES:

1. CAST IRON ADJUSTMENT RINGS ALLOWED ONLY WITH OVERLAYS AND NOT ON NEW MANHOLES. MAXIMUM 1 ADJUSTMENT RING PER MANHOLE.
2. SANITARY SEWER MHs - 2 HOLE LIDS
STORM DRAIN MHs - 16 HOLE LIDS
3. MH PADS IN UNPAVED TRAFFIC AREAS - 8'x8' MIN SIZE OF (A) 3" MIN. AC OVER 10" COMPACTED BASEROCK (OR PUBLIC ROAD STANDARD THICKNESS IF LOCATED IN R.O.W) OR (B) 8" CONCRETE OVER 2" BASEROCK.
4. MH PADS IN ROAD MEDIAN PLANTER AREAS - 4" CONC (PER DTL 212, 15' SQUARE W/5' SCORING PATTERN).

LAST REVISION DATE: NOV 2015	JO #
MANHOLE RIM ADJUSTMENT DETAILS	
(NTS)	
SILVERTON, OR	DETAIL NO. 407