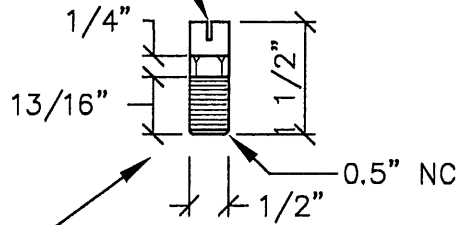
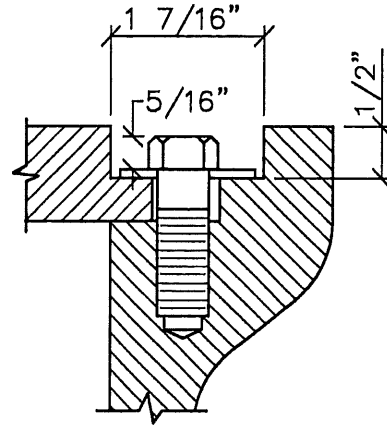
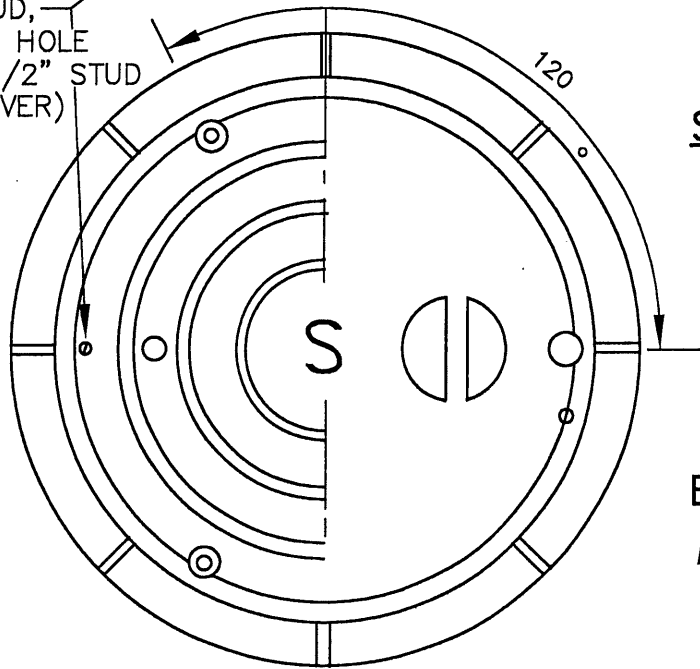


SLOT FOR SCREWDRIVER

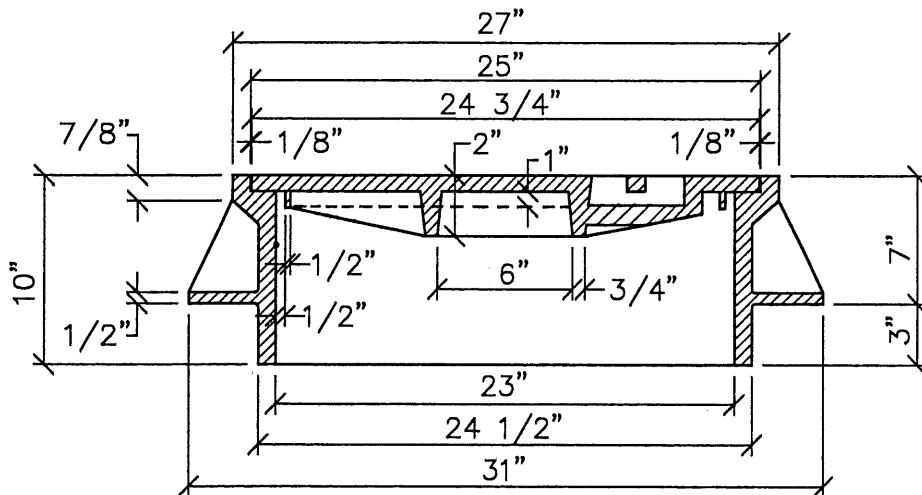
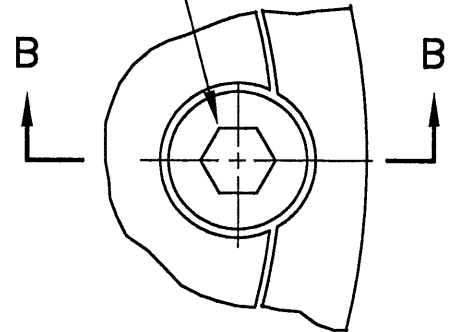


LOCATING STUD,
DRILL 25/64" HOLE
& TAP FOR 1/2" STUD
(ONE PER COVER)



SECTION B-B

1/2"-13NCx1"
STAINLESS STEEL
HEX HEAD
CAP SCREW



SECTION A-A

INSTALLATION OF
FRAME & MH INSERT
TO CONFORM WITH
DETAIL 407

NOTES:

1. COVER AND FRAME TO BE MACHINED TO A TRUE BEARING ALL AROUND.
2. MATERIAL SHALL BE OF GRAY CAST IRON, ASTM A-48, CLASS 30.
3. LOCKDOWN FRAME & COVER SHALL BE USED ONLY WHERE SPECIFICALLY REQUIRED BY PUBLIC WORKS.

LAST REVISION DATE: NOV 2015	
LOCKDOWN MANHOLE FRAME AND COVER	
(NTS)	
SILVERTON, OR	DETAIL NO. 406