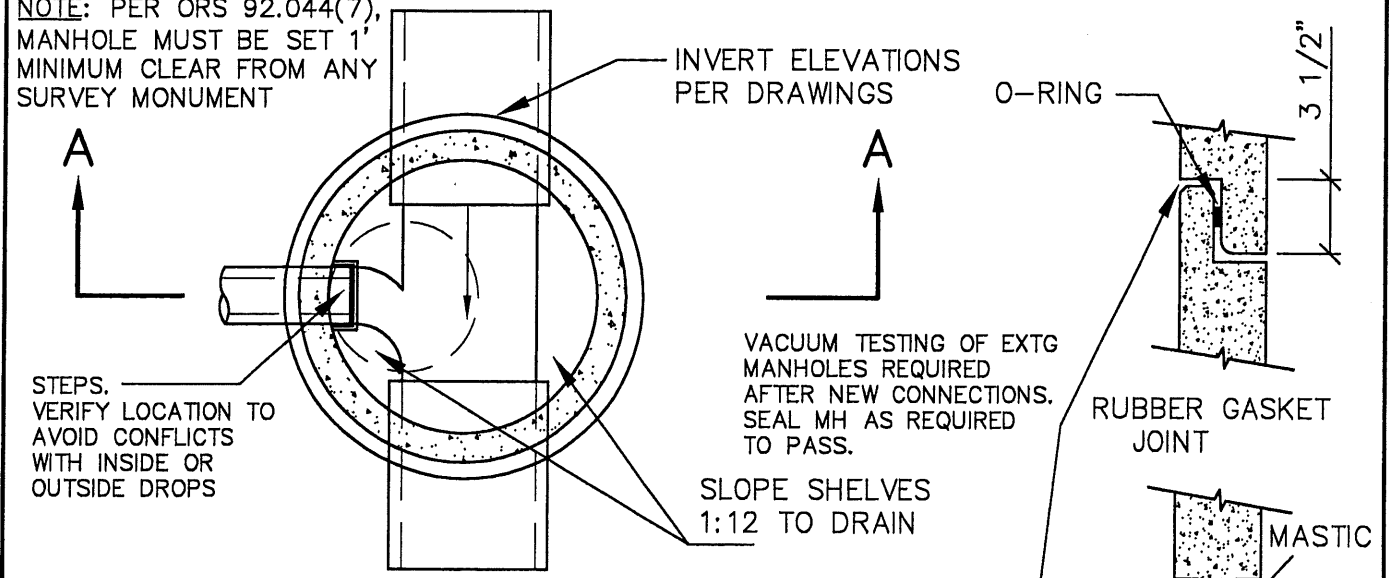
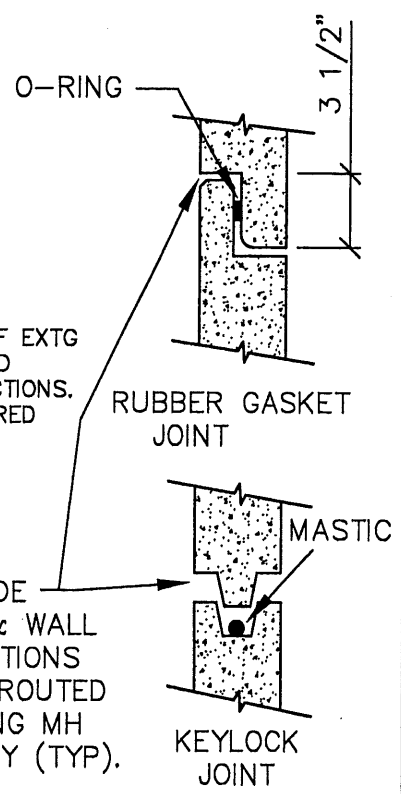


NOTE: PER ORS 92.044(7),  
MANHOLE MUST BE SET 1'  
MINIMUM CLEAR FROM ANY  
SURVEY MONUMENT



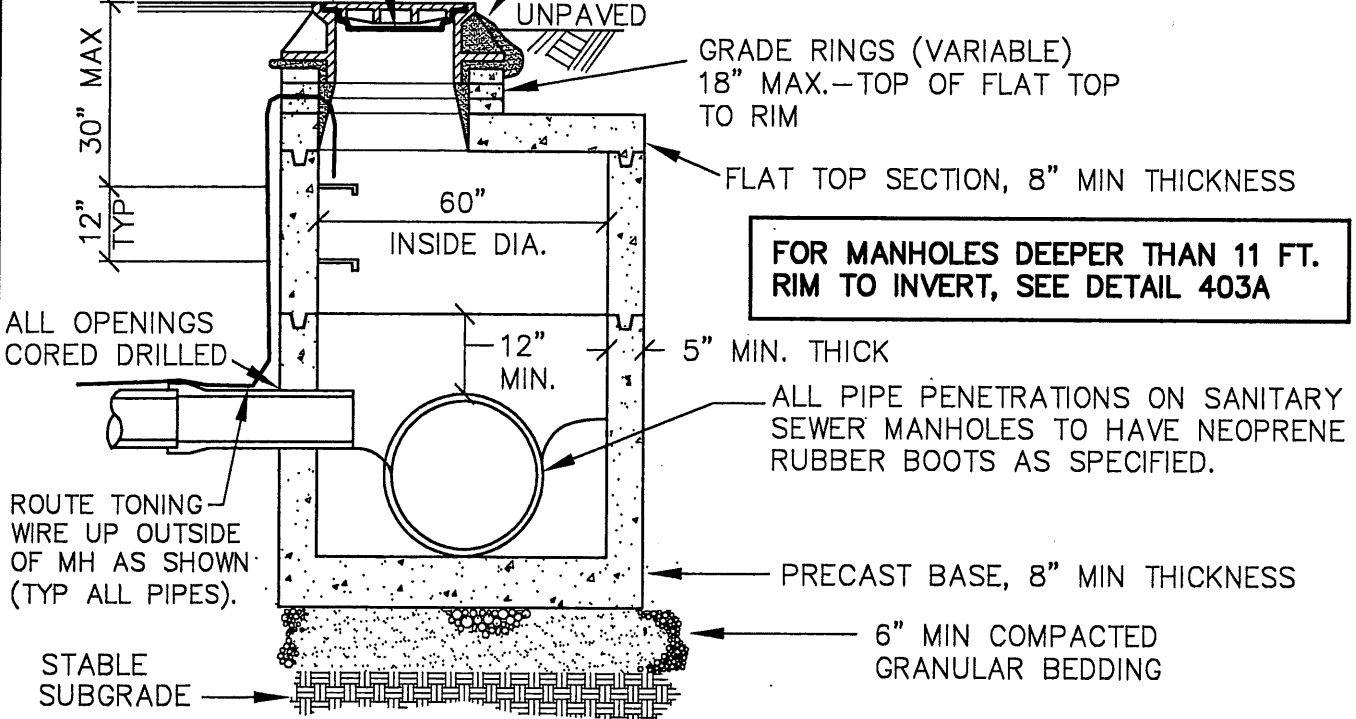
**PLAN**

VACUUM TESTING OF EXTG  
MANHOLES REQUIRED  
AFTER NEW CONNECTIONS.  
SEAL MH AS REQUIRED  
TO PASS.



MANPAN MH LID INSERT  
FOR ALL SANITARY MHs  
MANHOLE FRAME  
AND COVER  
PAVED SURFACE  
UNPAVED  
SET FRAME IN  
NON-SHRINK  
GROUT

ALL INSIDE  
JOINTS & WALL  
PENETRATIONS  
TO BE GROUTED  
FOLLOWING MH  
ASSEMBLY (TYP).



**FOR MANHOLES DEEPER THAN 11 FT.  
RIM TO INVERT, SEE DETAIL 403A**

**SECTION A-A**

**NOTES:**

1. PRECAST SECTIONS SHALL MEET OR EXCEED ASTM C-478.
2. WATERTIGHT O-RING OR MASTIC KEYLOCK JOINTS REQUIRED.
3. STEPS TO BE POLYPROPYLENE PLASTIC WITH GRADE 60 REINFORCING ROD. ADD STEPS TO EXTG CONNECTION MH IF EXTG STEPS ARE ABSENT.

LAST REVISION DATE: NOV 2015	COPYRIGHT 1996 WESTECH ENGINEERING, INC.
<b>MANHOLE FOR 24" AND 27" PIPE</b>	
(NTS)	
SILVERTON, OR	DETAIL NO. <b>403</b>