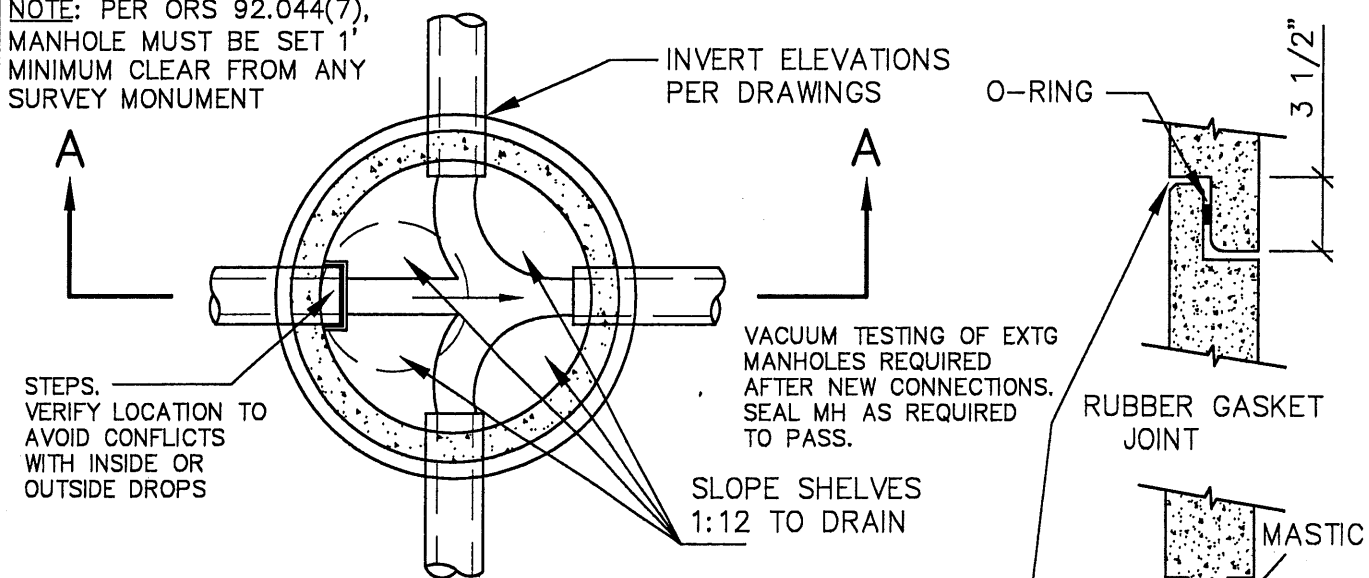
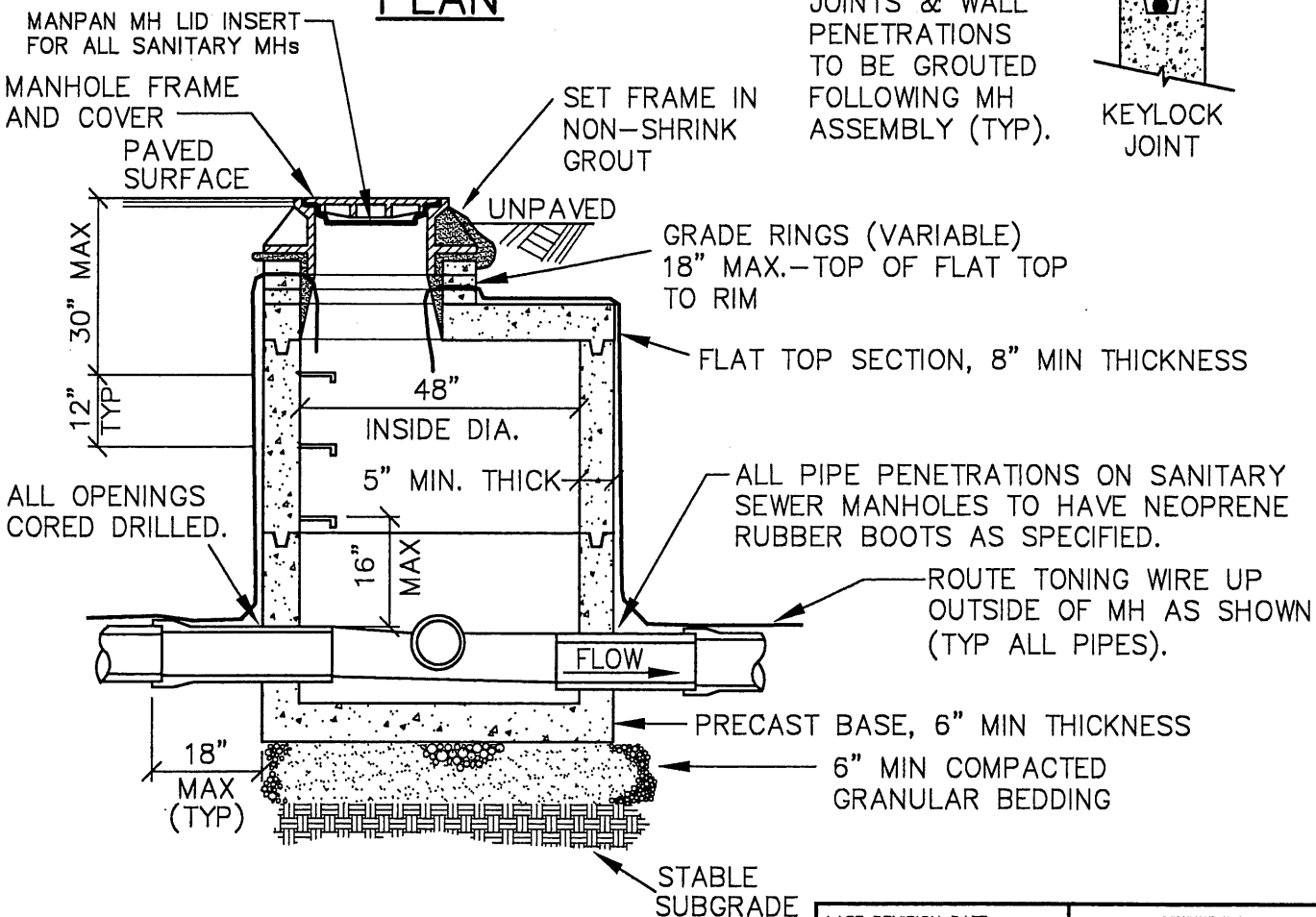


NOTE: PER ORS 92.044(7),
MANHOLE MUST BE SET 1'
MINIMUM CLEAR FROM ANY
SURVEY MONUMENT



PLAN



SECTION A-A

NOTES:

1. PRECAST SECTIONS SHALL MEET OR EXCEED ASTM C-478.
2. WATERTIGHT O-RING OR MASTIC KEYLOCK JOINTS REQUIRED.
3. STEPS TO BE POLYPROPYLENE PLASTIC WITH GRADE 60 REINFORCING ROD. ADD STEPS TO EXTG CONNECTION MH IF EXTG STEPS ARE ABSENT.

| | |
|--|---|
| LAST REVISION DATE: NOV 2015 | COPYRIGHT 1996 WESTECH ENGINEERING, INC. |
| FLAT TOP MANHOLE FOR 21" PIPE AND SMALLER | |
| (NTS) | |
| SILVERTON, OR | DETAIL NO. 402 |