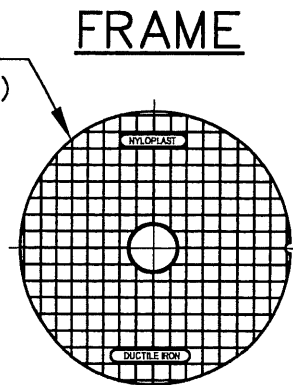
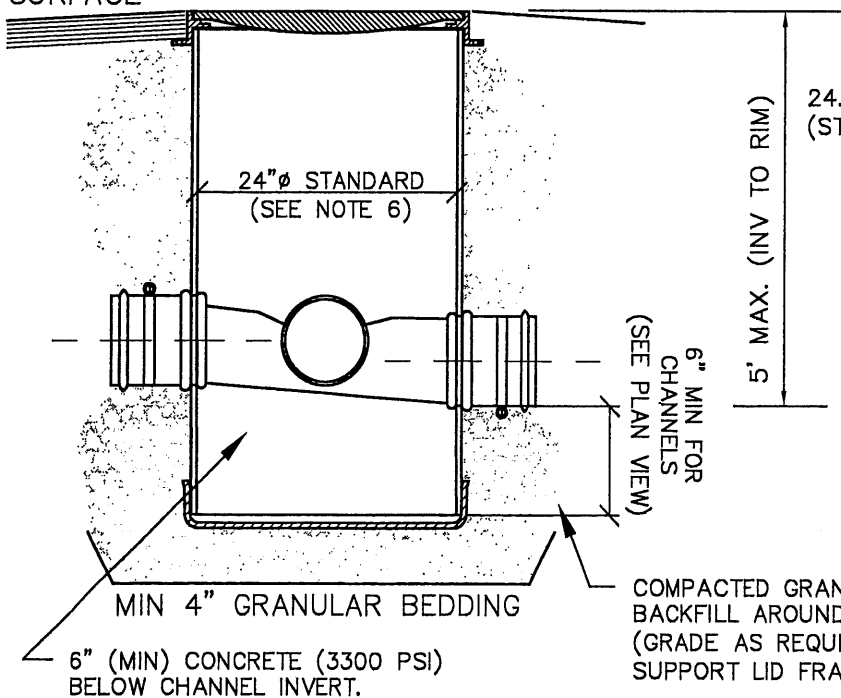


FRAME TO INCLUDE TABS THAT MATCH BASIN OD TO PREVENT DISPLACEMENT. FRAME BODY TO BEAR ON COMPACTED BASEROCK (SEE SECTION A-A)

PAVED SURFACE



PROVIDE A MINIMUM OF (2) 1" DIAMETER PICK HOLES IN SOLID LID, OR PROVIDE STANDARD 16-HOLE STORM MANHOLE LID.

SOLID LID

NOTE: PER ORS 92.044(7), MANHOLE MUST BE SET 1' MINIMUM CLEAR FROM ANY SURVEY MONUMENT

NOTES:

1. NYLOPLAST TRAFFIC RATED DRAIN BASIN OR APPROVED EQUAL WITH NYLOPLAST FRAME & MH LID.
2. MH FRAME & COVER TO BE DUCTILE IRON PER ASTM A536 GRADE 70-50-05.
3. SEE CONSTRUCTION DRAWINGS FOR PIPE SIZE, LOCATION, ORIENTATION AND INVERT ELEVATIONS.
4. CONNECTIONS TO PVC MANHOLE TO BE INSERTA-TEE STYLE FITTINGS (FACTORY OR FIELD INSTALLED).
5. FIVE (5) FOOT MAXIMUM ALLOWABLE DEPTH FROM RIM TO OUTLET INVERT (DEEPER APPLICATIONS REQUIRE 48" MANHOLE).
6. MAXIMUM NUMBER & CONFIGURATION OF PIPE CONNECTIONS TO BE BASED ON INSERTA-TEE RECOMMENDATIONS. PROVIDE 30" DIAMETER BASIN & 30" SOLID COVER IF REQUIRED DUE TO NO. OF PIPES, SPACING &/OR ANGLES (30" MH TO MEET ALL DETAIL REQUIREMENTS SHOWN EXCEPT DIAMETER).

7. USE OF PUBLIC 24" STORM MANHOLE MUST BE APPROVED ON A CASE BY CASE BASIS BY THE PUBLIC WORKS DIRECTOR.

| | |
|--|-------------------|
| LAST REVISION DATE: NOV 2015 | JO # |
| 24" DIA. STORM MANHOLE (TRAFFIC RATED PVC W/SOLID DUCTILE IRON FRAME/COVER) (NTS) | |
| SILVERTON, OR | DETAIL NO. 351 |