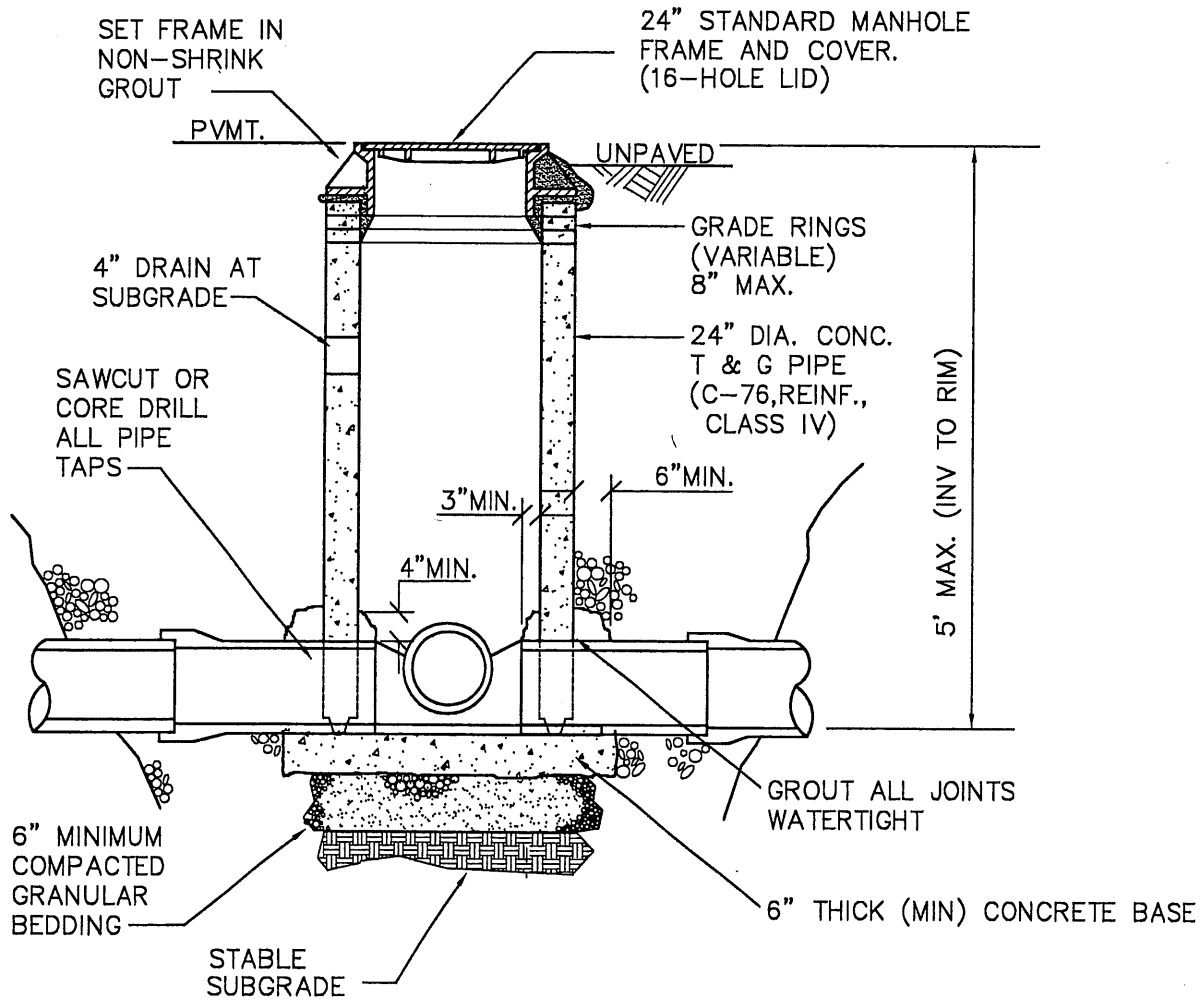


NOTE: PER ORS 92.044(7),
MANHOLE MUST BE SET 1'
MINIMUM CLEAR FROM ANY
SURVEY MONUMENT

PLAN



SECTION A-A

NOTE:

1. MAXIMUM PIPE NUMBER & DIAMETERS AS FOLLOWS:
12" DIAMETER OR LESS - 4 MAXIMUM.
15" DIAMETER - 2 MAXIMUM.
ALL OTHER CONFIGURATIONS REQUIRE STANDARD MANHOLE.
2. USE OF PUBLIC 24" STORM MANHOLE MUST BE APPROVED ON A CASE BY CASE BASIS BY THE PUBLIC WORKS DIRECTOR.

LAST REVISION DATE: NOV 2015	
24" DIA. STORM MANHOLE	
(NTS)	
SILVERTON, OR	DETAIL NO. 350