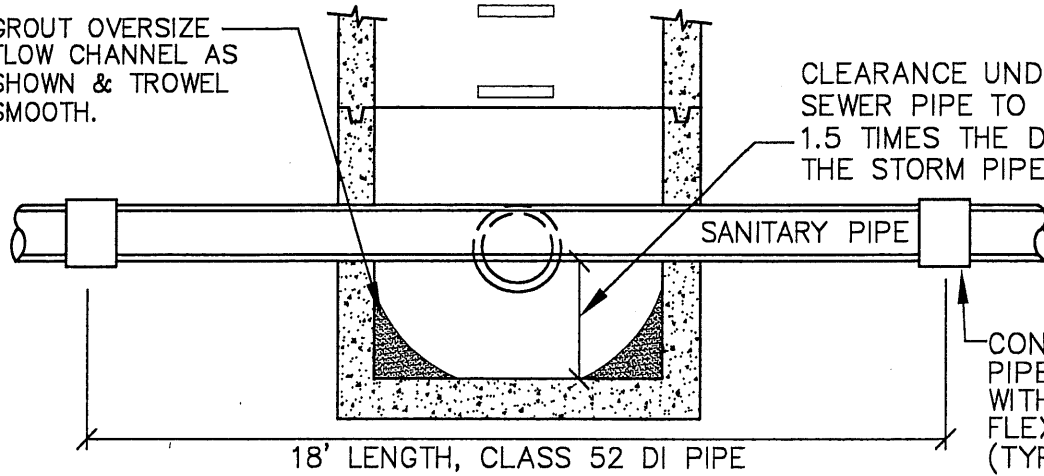


GROUT OVERSIZE FLOW CHANNEL AS SHOWN & TROWEL SMOOTH.

CLEARANCE UNDER SANITARY SEWER PIPE TO BE A MINIMUM OF 1.5 TIMES THE DIAMETER OF THE STORM PIPE



CONNECT DUCTILE IRON PIPE TO SEWER PIPE WITH APPROVED FLEXIBLE COUPLING. (TYP BOTH ENDS)

SECTION THRU SANITARY SEWER

MANHOLE FRAME AND COVER PVMT.

SET FRAME IN NON-SHRINK GROUT

30" MAX TO STEP
12" TYP

UNPAVED

GRADE RINGS (VARIABLE) 18" MAX.-TOP OF FLAT TOP TO RIM

FLAT TOP SECTION, 8" MIN THICKNESS 5" MIN. THICK

INSIDE DIAMETER SEE NOTES

SEE DRAWINGS FOR INVERT ELEVATIONS AND PIPE ALIGNMENTS.

ALL OPENINGS CORED DRILLED.

16" MAX

MIN. 1.5 x STORM PIPE DIA.

STORM PIPE

FLOW

PRECAST BASE, 6" MIN THICKNESS

6" MIN COMPACTED GRANULAR BEDDING

18" MAX (TYP)

STABLE SUBGRADE

SECTION THRU STORM

NOTES:

1. UNLESS OTHERWISE SHOWN ON DRAWINGS, USE 48" MANHOLE FOR SANITARY SEWER UP TO 12" DIA. & STORM DRAIN UP TO 18" DIAMETER.
2. PRECAST SECTIONS SHALL MEET OR EXCEED ASTM C-478. WATERTIGHT O-RING OR MASTIC KEYLOCK JOINTS REQUIRED.
3. STEPS TO BE POLYPROPYLENE PLASTIC WITH GRADE 60 REINFORCING ROD.

4. USE OF KUENZI MANHOLES MUST BE APPROVED ON A CASE BY CASE BASIS BY THE PUBLIC WORKS DIRECTOR.

LAST REVISION DATE: NOV 2015	
KUENZI MANHOLE	
(NTS)	
SILVERTON, OR	DETAIL NO. 330