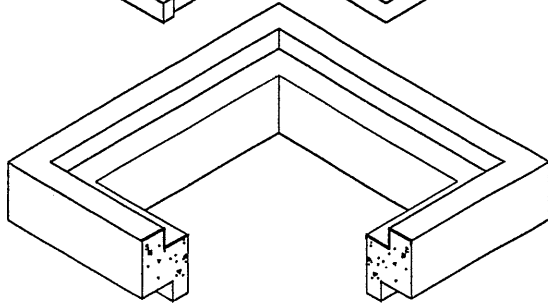
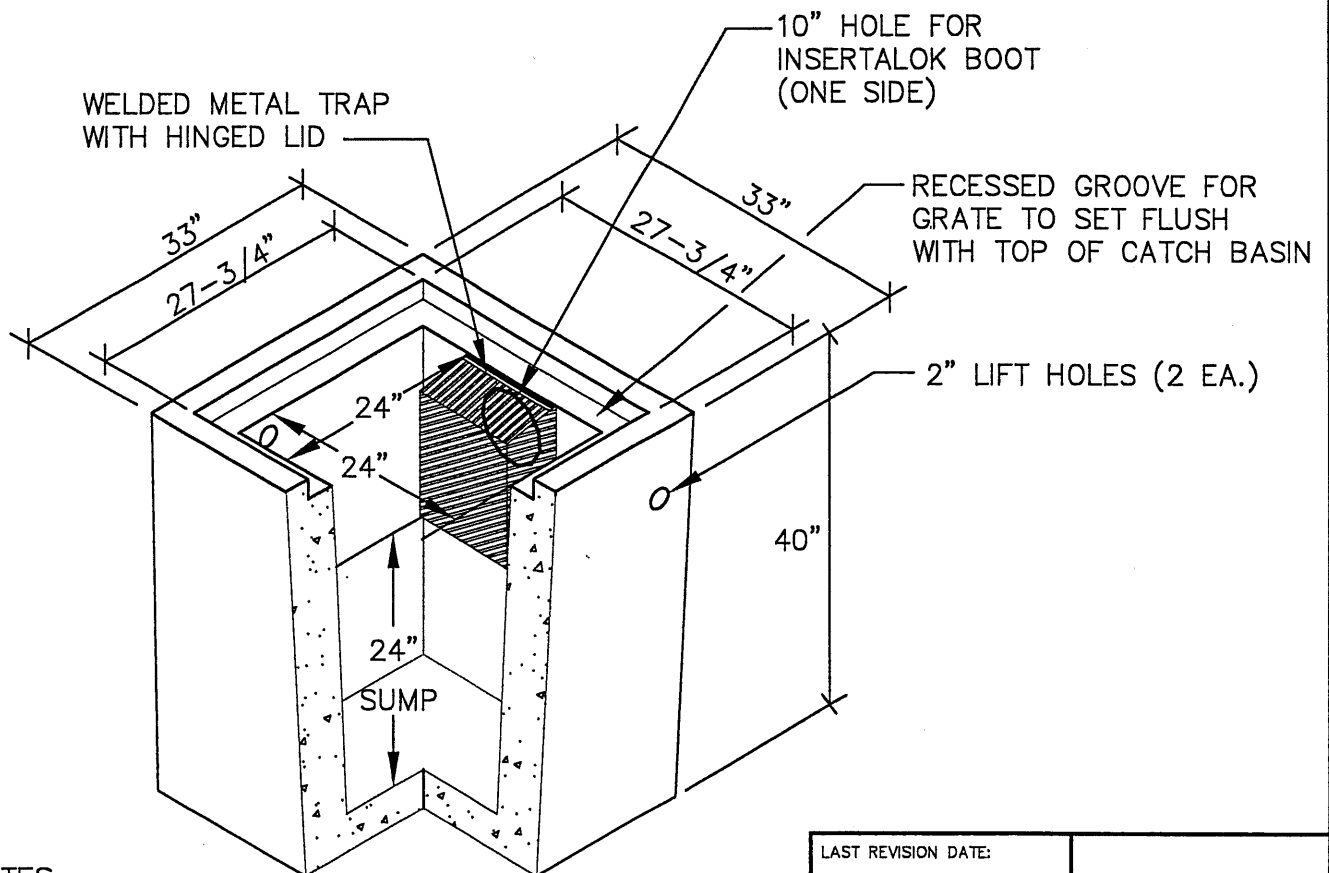


CAST IRON GRATE
TRAFFIC LOADING



4", 6" AND 12"
RISERS FOR ADJUSTMENT



NOTES:

1. SEE CONSTRUCTION DRAWINGS FOR PIPE SIZE, LOCATION AND INVERT ELEVATION.
2. CONCRETE SHALL BE 4000 PSI @ 28 DAYS.
3. REBAR SHALL CONFORM TO ASTM A615 GRADE 60.
4. REBAR SHALL BE MIN. #4 BARS @ 6" C.C.
5. SET CB SQUARE WITH BUILDINGS OR WITH EDGE OF PARKING LOT OR DRIVEWAY WHEREIN IT LIES.
6. ADJUST PAVING SO WATER FLOWS TO CB WITH NO PONDING.

LAST REVISION DATE: JULY 2015	
PARKING LOT CATCH BASIN (PRECAST CONCRETE)	
(NTS)	
SILVERTON, OR	DETAIL NO. 315