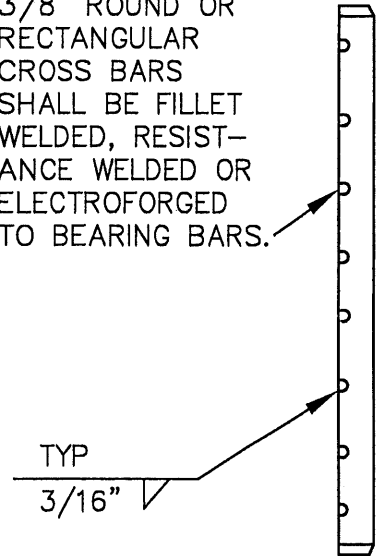


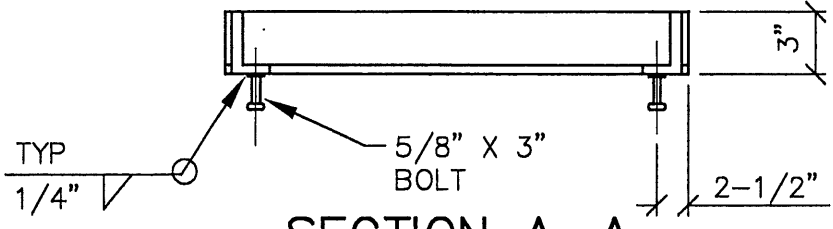
PLAN

NOTE:

3/8" ROUND OR RECTANGULAR CROSS BARS SHALL BE FILLET WELDED, RESISTANCE WELDED OR ELECTROFORGED TO BEARING BARS.

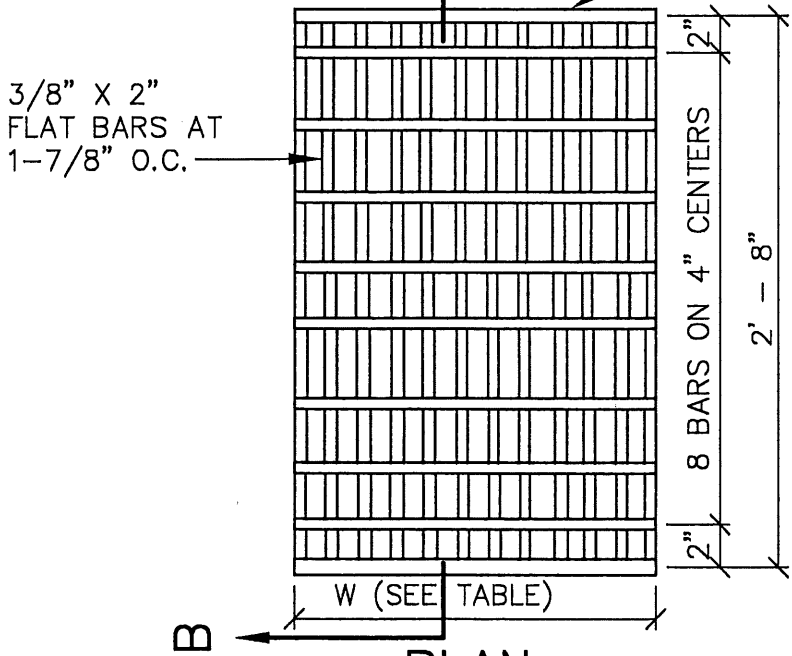


SECTION B-B



SECTION A-A

3/8" X 2" FLAT BAR EA. END



PLAN

NOTE:

1. USE VERTICAL BEADS IN CORNERS, FILLET WELD JOINT ON BOTTOM OF FRAME. GRATE MUST REST FLAT ON FRAME SURFACE.
2. ALL STEEL SHALL BE ASTM A-36.
3. ANGLE FRAME REQUIRED ON ALL FOUR SIDES OF GRATE OPENING AS SHOWN.

INLET TYPE	FRAME			GRATE	
	V	Y	W	NO. OF BARS	REMARKS
STANDARD	1' 10-3/4"	1' 9-3/8"	1'- 9"	12	1-GRATE
OVERSIZE	2' 4-3/4"	2' 3-3/8"	1' 1-1/2"	8	2-GRATES

LAST REVISION DATE: JULY 2015	COPYRIGHT 1996 WESTECH ENGINEERING, INC.
CATCH BASIN GRATE DETAILS	
(NTS)	
SILVERTON, OR	DETAIL NO. 312