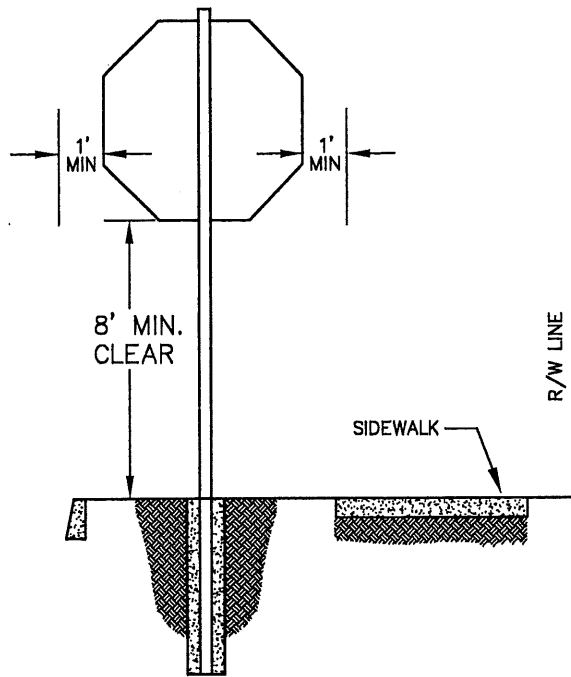


CURBSIDE SIDEWALK
LOCATION OFFSET



PROPERTY LINE SIDEWALK
LOCATION OFFSET

NOTES:

1. ALL NEWLY PLATTED & RECONSTRUCTED STREETS TO BE SIGNED PER DETAIL 231 & AS DIRECTED BY THE PUBLIC WORKS DIRECTOR.
2. SIGNS TO BE INSTALLED IN LOCATIONS SHOWN ON CITY APPROVED CONSTRUCTION DRAWINGS, AS APPLICABLE.

LAST REVISION DATE: NOV 2015	
TYPICAL STOP SIGN & STREET NAME SIGN LOCATION & OFFSETS (NTS)	
SILVERTON, OR	DETAIL NO. 232