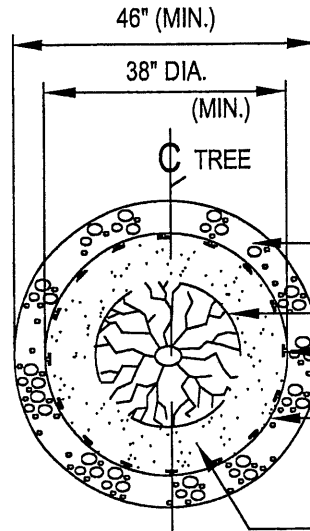
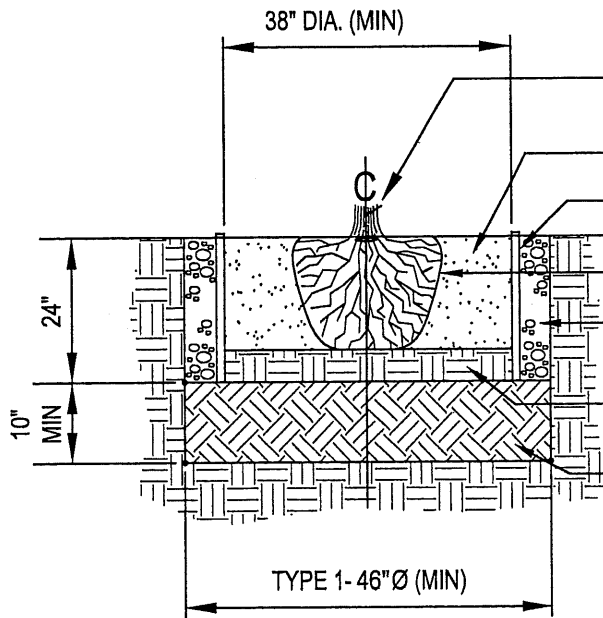


BARRIER PANEL
NTS (oblique view)



- NO. 3 CONCRETE AGGREGATE OR CRUSHED ROCK
- ROOTBALL
- RAISED RIBS TOWARD INSIDE
- ROOT BARRIER
- PREPARED SOIL MIX

TYPE 2 (5 PANELS)
NTS



- TREES AS APPROVED BY CITY, PROVIDED & PLANTED BY CONTRACTOR.
- PREPARED SOIL MIX
- ROOT BARRIER (SET TOP 1" BELOW FINISH GRADE IN AREAS OUTSIDE OF SIDEWALKS)
- ROOT BALL
- 3/4"-0 AGGREGATE OR CRUSHED ROCK
- COMPACTED, PREPARED SOIL MIX TO BOTTOM OF ROOT BALL
- PREPARED SOIL MIX BACKFILL

SECTION
NTS

NOTES:

1. BARRIER PANEL ASSEMBLY & INSTALLATION TO BE COMPLETED IN ACCORDANCE WITH MANUFACTURER'S SPECIFICATIONS & DRAWING/DETAIL NOTES, WHICHEVER IS MORE STRINGENT.
2. DO NOT SCALE DRAWINGS.
3. BARRIER PANELS TO BE NDS RP SERIES OR EQUAL.

LAST REVISION DATE: NOV 2015	COPYRIGHT 1995 WESTECH ENGINEERING, INC.
24" DEEP, 38" Ø 5 PANEL ROOT BARRIER TREE WELLS (NTS)	
SILVERTON, OR	DETAIL NO. 213C